

Mars Pro

Ventilator
System för renrum

Industri AB Ventilator
P.O Box 47301
SE- 100 74 Stockholm
Tel +46 8 681 14 40
Fax +46 8 18 50 62
info@ventilator.se
www.ventilator.se



The new ScanLaf Mars Pro Class II, available in 4 sizes 900, 1200, 1500 and 1800 working widths offers a triple HEPA filter system cabinet focusing on comfort and safety.

Complimenting the existing Mars Class II Cabinet range, it is ideal where double exhaust or double downflow filters are required, where ceiling heights are reduced or where cabinet fumigation is impossible such as when working with cytotoxic powders or prions.

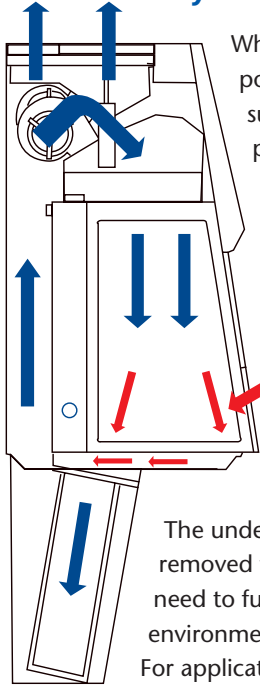
Main features:

Cabinet features are similar to the Mars Class II but the Mars Pro also offers:

- ◆ V shaped HEPA-filter cartridges located below the table top – H-14 filter quality, 99.999% efficient against 0.3 µm particles, with large surface area for long life.
- ◆ Underbench filters easily changeable, sealing without tape.
- ◆ Spill-drains between each sectioned work surface ensures any spills are directed to the trough and not the HEPA filters
- ◆ Low noise level < 55/56 dB(A) according to SS-EN ISO 4871 (1200/1800)
- ◆ Built in support frame giving 750-800 mm working height (Other options available)
- ◆ Low overall height. Will fit rooms with low ceilings easily. (Height is 1998 mm +50 mm on 750 mm stand)
- ◆ Leg room not compromised due to slimline filter housing
- ◆ Produced, tested and in compliance with EN 12469:2000 and DIN 12980

*Probably the best
Class 2 Safety Cabinet
Designed for your Safety and Comfort*

Why 3 filters?



When working with, for example, Cytotoxic powders or materials infected with Prions such as CJD or Mad Cow disease it is important to remember that periodic cabinet decontamination with formaldehyde or VHP may have no effect. With the Mars Pro the unique under-bench HEPA filter design ensures the trapping of these hazardous particles before they pass to the downflow and exhaust fans thereby ensuring they, and internal air ducts are kept contamination free.

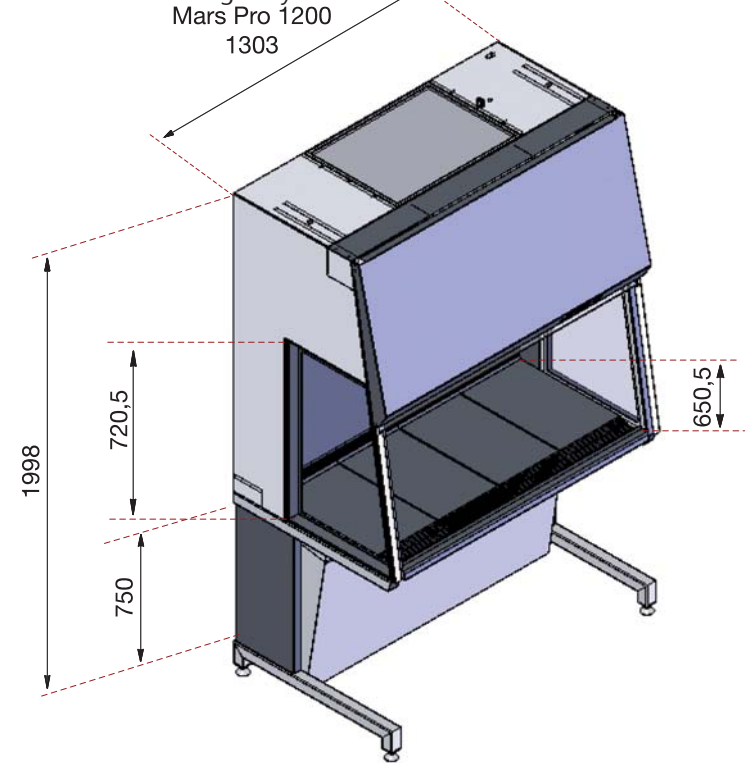
The under-bench filters can easily and safely be removed when necessary (by bagging) without the need to fumigate, therefore ensuring a safe working environment is maintained.

For applications where "double downflow" filters are required the Mars Pro meets the demand and ensures absolute sterility.



Advantages

- ◆ 100,000 times more efficient filtration than standard Class II cabinets!
- ◆ Extended main and exhaust HEPA filter life – almost indefinite!
- ◆ Short pathway for contaminated material – less risk of cross contamination. Greater security.
- ◆ Assured cabinet sterility. Segmented under-bench HEPA filters ensure all internal cabinet surfaces, fans, and plenums are kept sterile – Greater safety for service personnel.
- ◆ Safe and easy filter disposal. (Incineration)
- ◆ Easy maintenance. Under-bench filters can be replaced whilst cabinet is running. Easy to seal.



Specifications:

Model	Unit	Mars Pro 900	Mars Pro 1200	Mars Pro 1500	Mars Pro 1800
Catalogue No.		9.002.023.000	9.002.020.000	9.002.022.000	9.002.021.000
External dimensions (D×W×H)	mm	798×1003×1998	798×1303×1998	798×1603×1998	798×1903×1998
Working chamber, dimensions (D×W×H)	mm	650×900×720	650×1200×720	650×1500×720	650×1800×720
Front opening, fixed	mm	200	200	200	200
Working height	cm	75 - 105	75 - 105	75 - 105	75 - 105
Air velocity, Vertical flow	m/s	0,35	0,35	0,35	0,35
Air velocity, Deviation	±%	10	10	10	10
Down Flow rate	m ³ /h	800	1100	1300	1500
Exhaust Flow rate	m ³ /h	300	400	500	600
Noise level, ISO 6081	dB(A)	<55	<55	<56	<56
Light intensity variable	Lux	0-2000	0-2000	0-2000	0-2000
HEPA filters		H-14	H-14	H-14	H-14
Voltage/frequency	V/Hz	220/50 or 115/60	220/50 or 115/60	220/50 or 115/60	220/50 or 115/60
Power	W	600	600	700	800
Fuses	A	10	10	10	10
Net weight	kg	250	275	300	325
Shipping volume	m ³	2,2	2,9	3,5	4,1
Window material		hardened/laminated glass	hardened/laminated glass	hardened/laminated glass	hardened/laminated glass
Cabinet material		Polyestercoated steel/ AISI 304 Stainless steel.	Polyestercoated steel/ AISI 304 Stainless steel.	Polyestercoated steel/ AISI 304 Stainless steel.	Polyestercoated steel/ AISI 304 Stainless steel.